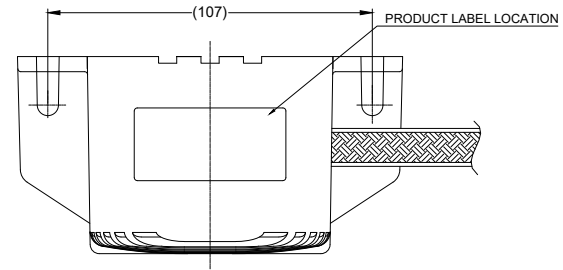
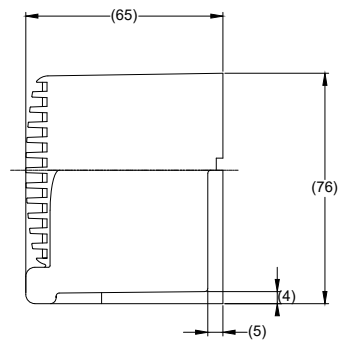
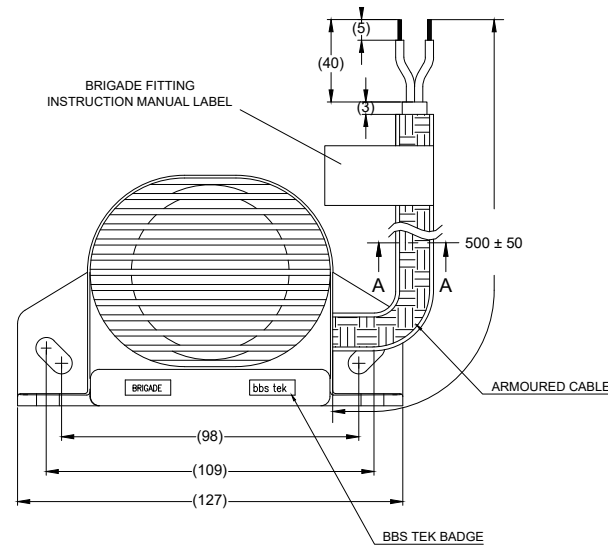
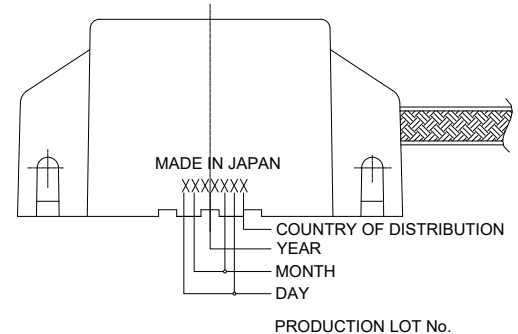
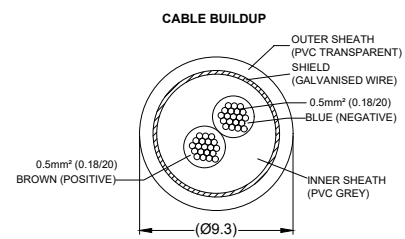


Revision Notes.				
R1 -				
APA: -	Drawn:	Checked:	Approved:	Date:



SECTION A-A



A = AUSTRALIA
E = EUROPE
U = USA

SPECIFICATIONS

1. RATED VOLTAGE: 12V - 24V DC.
2. WORKING VOLTAGE RANGE: 9V THROUGH 32V.
3. RATED CURRENT: LESS THAN 300mA AT RATED VOLTAGE.
4. SOUND PRESSURE: 92dB ± 4 AS DETERMINED AT DISTANCE OF 1.2M IN FRONT OF BODY AT HEIGHT. OF 1M ABOVE GROUND AT RATED VOLTAGE.
5. INTERMITTENCY: 80 ± 10 CYCLES/MIN. AT RATED VOLTAGE.
6. TONE: WHITE SOUND(BBS)
7. ENVIRONMENTAL: TESTS PER SAE J994.

- NOTES:**
1. FINISH: BLACK
 2. HOUSING MATERIAL: AES PLASTIC.
 3. CABLE SHEATH MATERIAL: PVC.
 4. FOR PACKAGING & LABELING DETAIL REFER TO THE LATEST REVISION OF THE MASTER BOM

PROPRIETARY NOTICE
THIS DESIGN AND TECHNICAL INFORMATION APPEARING ON THIS DRAWING IS THE PROPERTY OF BRIGADE ELECTRONICS, AND IS DISCLOSED IN CONFIDENCE. IT IS NOT TO BE COPIED, REPRODUCED, REVEALED TO OR EXPROPRIATED BY OTHERS, EITHER IN WHOLE OR IN PART WITHOUT THE EXPRESS WRITTEN CONSENT OF BRIGADE ELECTRONICS.



Assembly Pl Approval W. FUKUZAWA	Approved by A. KEBEDE	Checked by D. FOALE	Drawn by L. CHEUNG
Angle of Projection 		Units mm	Scale N/A
Status RELEASED		Released 26/09/2024	Assembly Ref -
Part No 2165A		BBS-92ADR BE-004909-00-24	